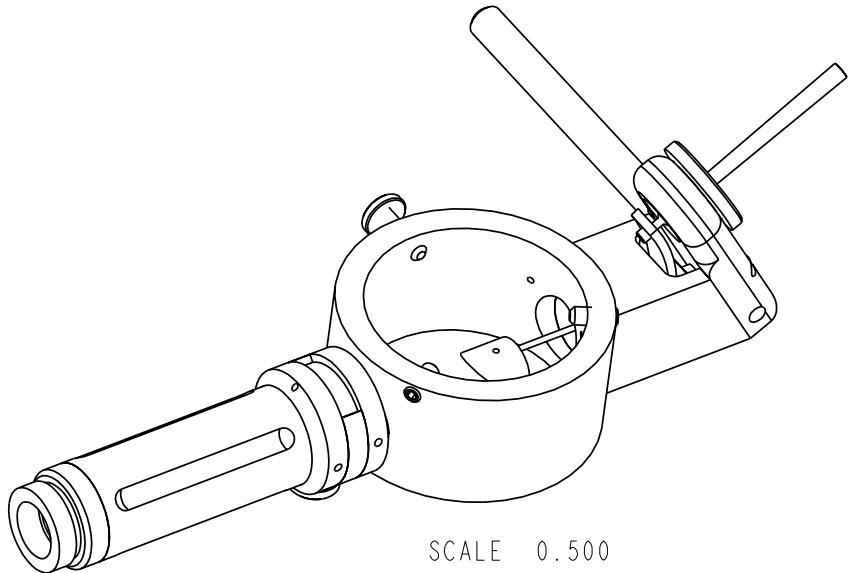
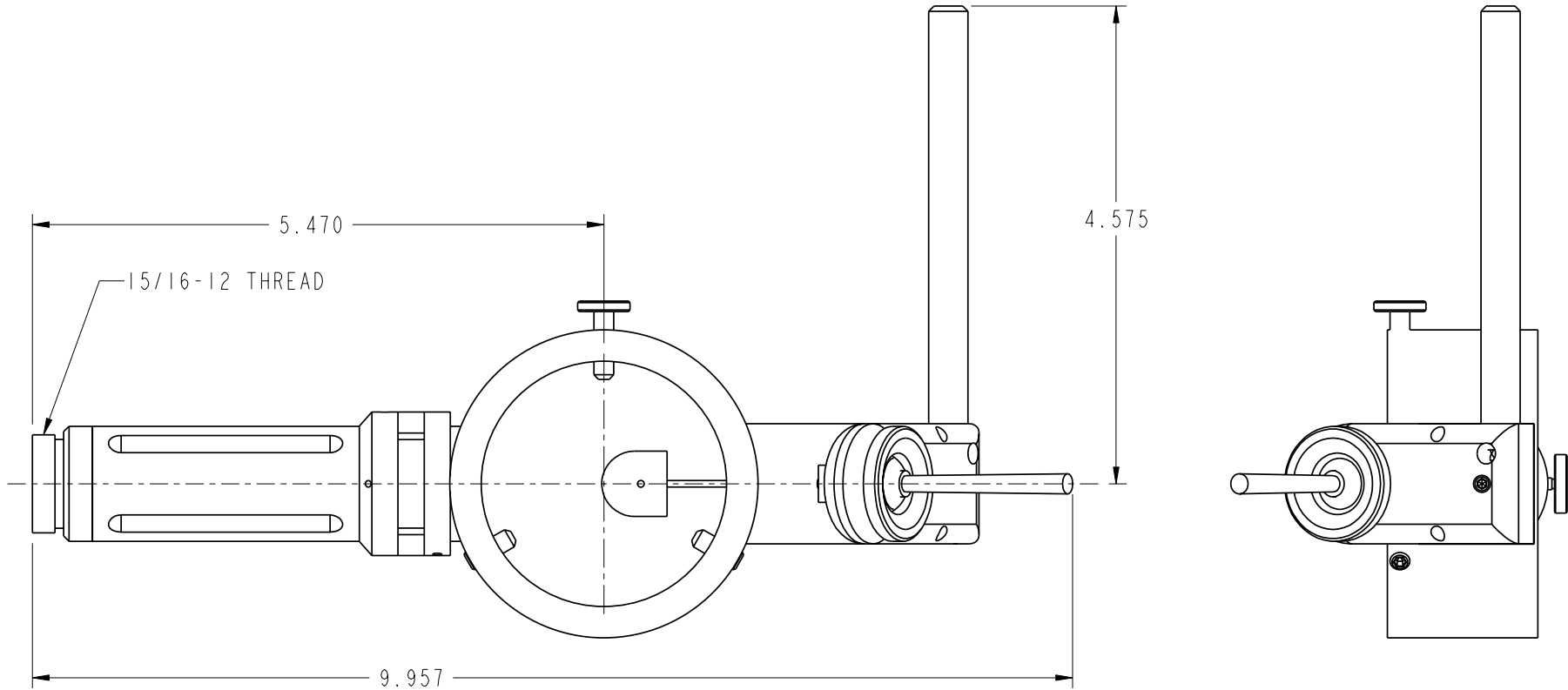
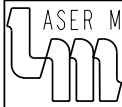
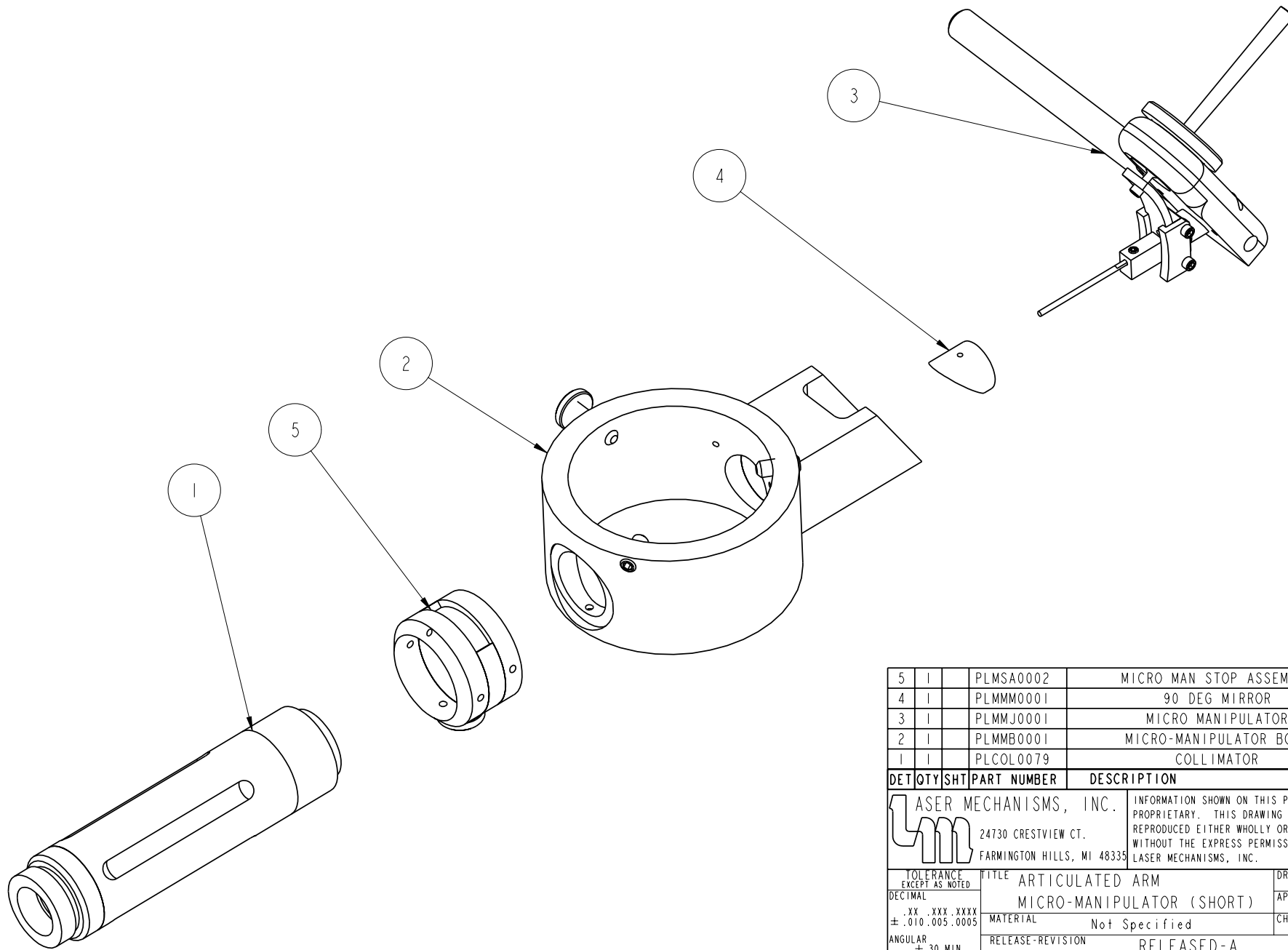


DATE	CHANGE	ENG



DET	QTY	SHT	PART NUMBER	DESCRIPTION
			LASER MECHANISMS, INC. 24730 CRESTVIEW CT. FARMINGTON HILLS, MI 48335	INFORMATION SHOWN ON THIS PRINT IS PROPRIETARY. THIS DRAWING IS NOT TO BE REPRODUCED EITHER WHOLLY OR IN PART WITHOUT THE EXPRESS PERMISSION OF LASER MECHANISMS, INC.
TOLERANCE EXCEPT AS NOTED DECIMAL ± .XX .XXX .XXXX ± .010 .005 .0005 ANGULAR ± 30 MIN		TITLE ARTICULATED ARM MICRO-MANIPULATOR (SHORT)		DRWN CAH APPR --- CHKD -
SCALE NONE		SHEET A		MATERIAL Not Specified RELEASE-REVISTON RELEASED-A
DATE 17-Feb-06		DWG. NO. PLAMM0003		SHT. 1
OF 2				

DATE	CHANGE	ENG



5	1	PLMSA0002	MICRO MAN STOP ASSEMBLY
4	1	PLMM0001	90 DEG MIRROR
3	1	PLMMJ0001	MICRO MANIPULATOR
2	1	PLMMB0001	MICRO-MANIPULATOR BODY
1	1	PLCOL0079	COLLIMATOR

DET	QTY	SHT	PART NUMBER	DESCRIPTION
 LASER MECHANISMS, INC. 24730 CRESTVIEW CT. FARMINGTON HILLS, MI 48335				
INFORMATION SHOWN ON THIS PRINT IS PROPRIETARY. THIS DRAWING IS NOT TO BE REPRODUCED EITHER WHOLLY OR IN PART WITHOUT THE EXPRESS PERMISSION OF LASER MECHANISMS, INC.				

TOLERANCE EXCEPT AS NOTED		TITLE		DRWN	CAH
DECIMAL		ARTICULATED ARM		APPR	---
± .XX .XXX .XXXX		MICRO-MANIPULATOR (SHORT)		CHKD	-
± .010 .005 .0005		MATERIAL		Not Specified	
ANGULAR		RELEASE-REVISTON		RELEASED-A	
± 30 MIN		SCALE	SHEET	DATE	DWG. NO.
NONE		A		17-Feb-06	PLAMM0003
				SHT.	OF
				2	2